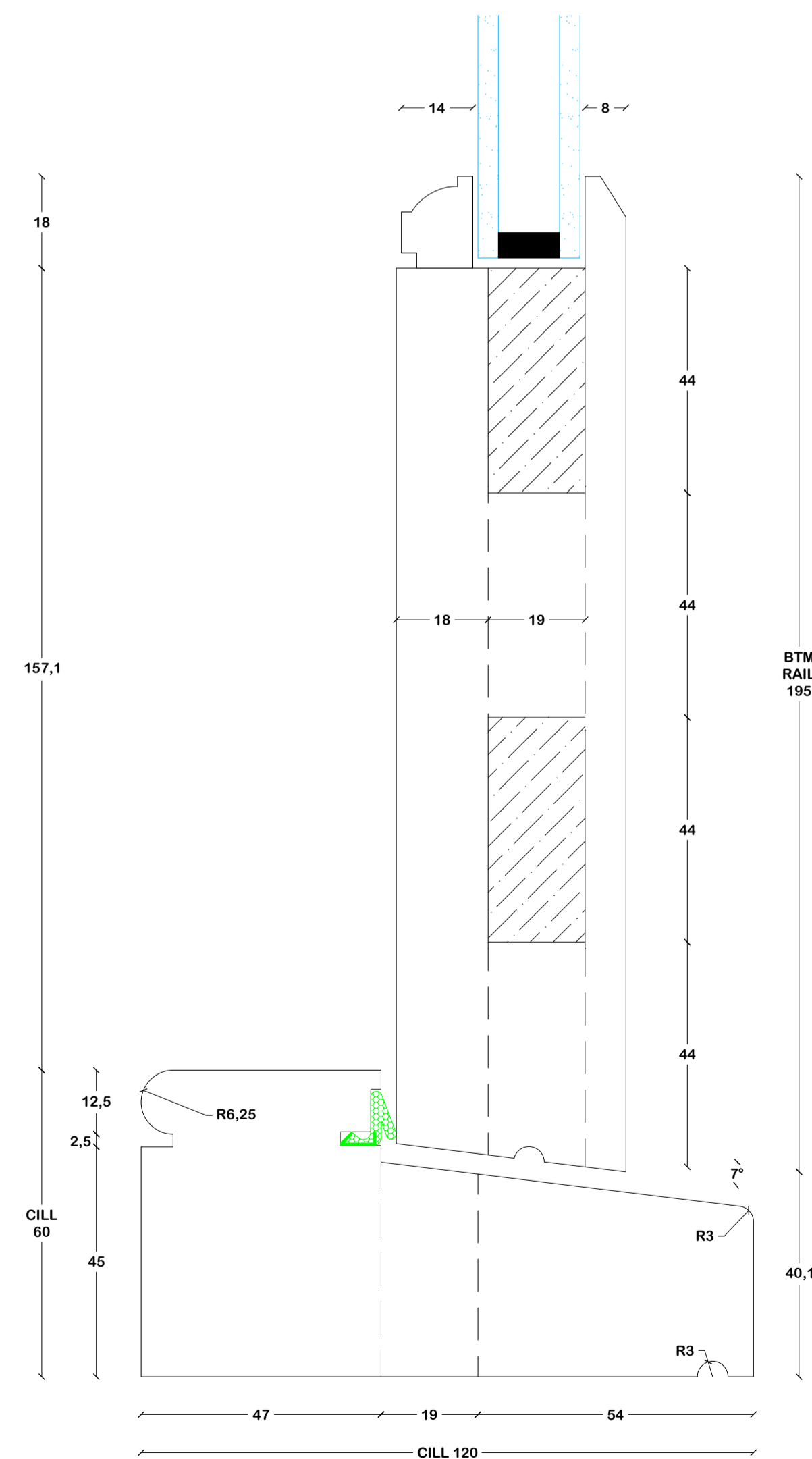
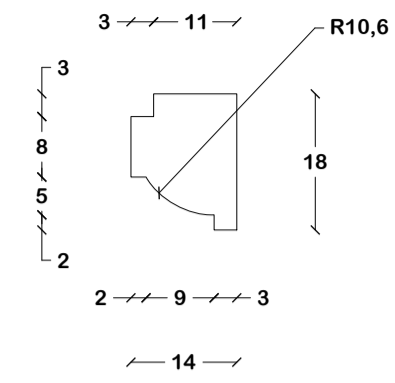


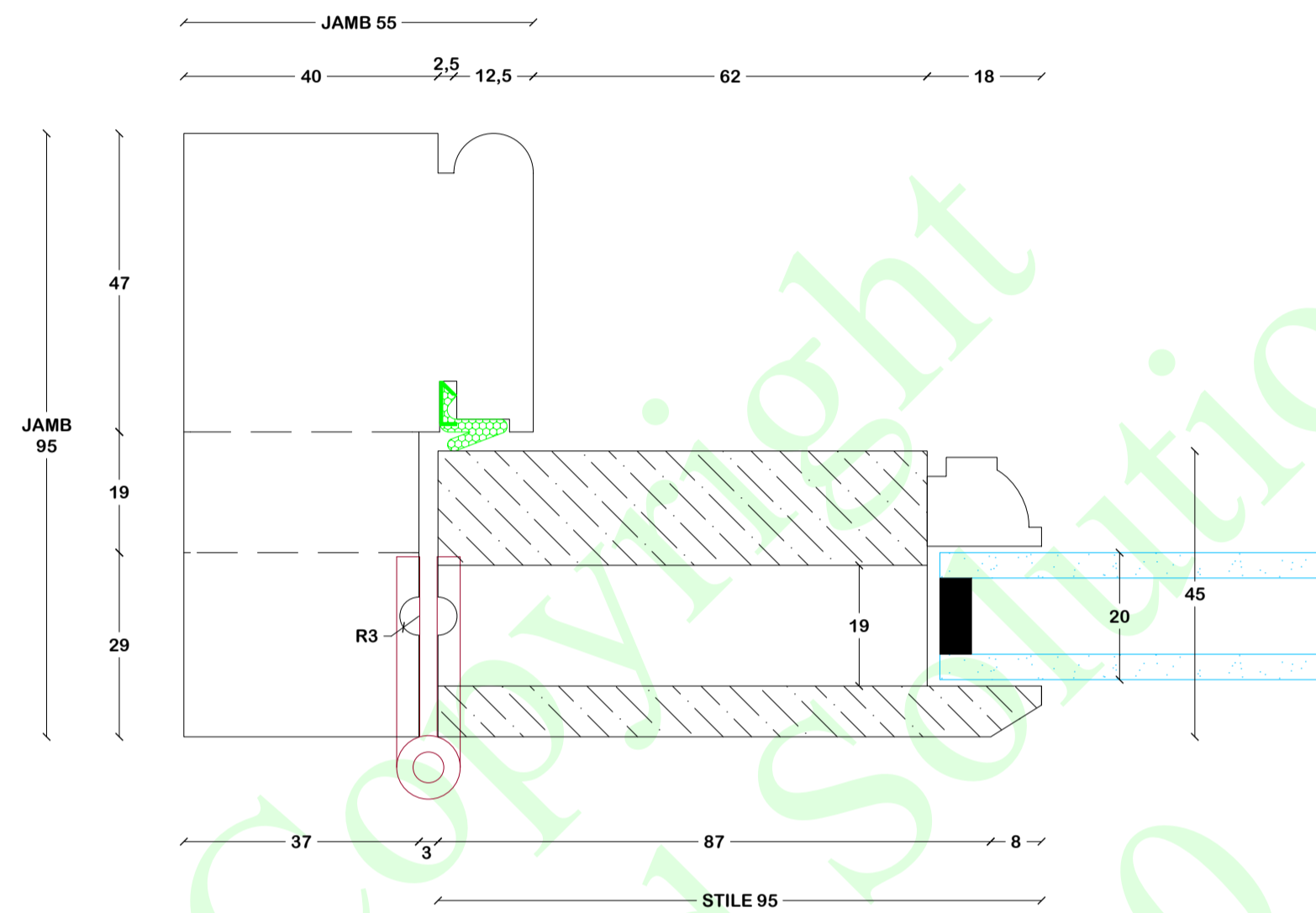
DOOR HEAD DETAIL 1:1



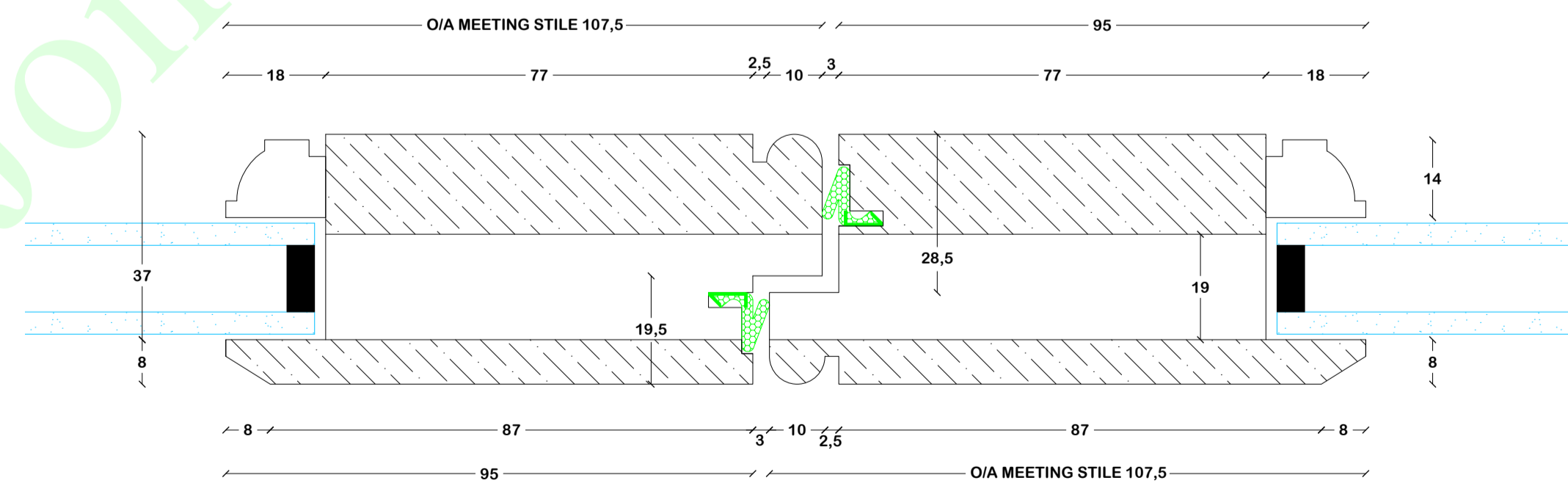
DOOR CILL DETAIL 1:1



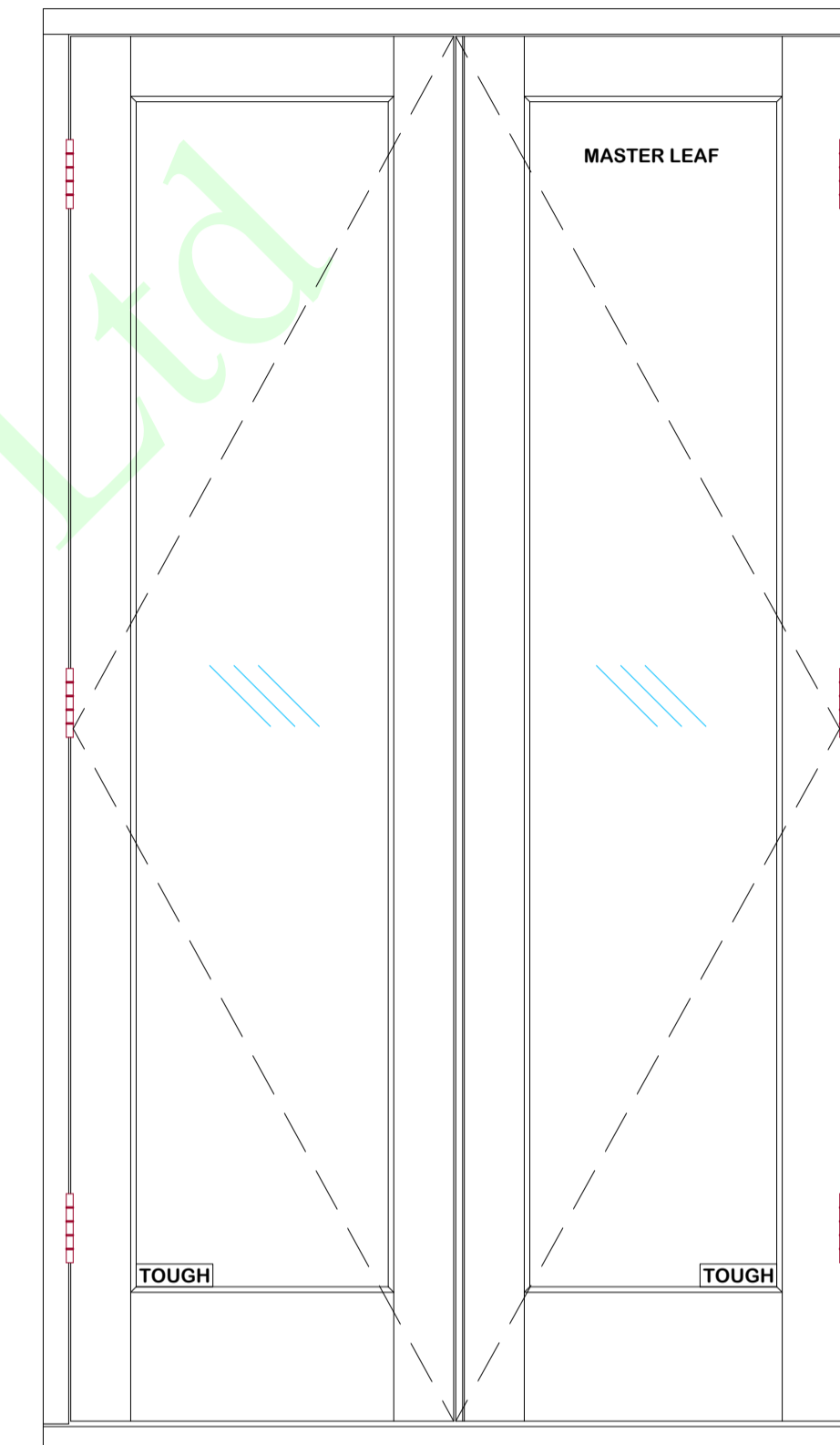
GLAZING BEAD DETAIL 1:1



DOOR JAMB DETAIL 1:1



DOOR MEETING STILE DETAIL 1:1



TYPICAL ELEVATION 1:10

**NOTES :**

1. This drawing has been prepared to cover matters which are the requirements of the Company listed below and do not constitute a full specification of the work.
2. All dimensions, details, components, and assemblies are to be verified by the Contractor PRIOR to construction, manufacture or supply.
3. Any conflicting information, errors or omissions shown or implied on this drawing shall be referred to the Contractor PRIOR to construction or ordering of materials.
4. Do not scale this drawing.
5. This drawing is the Copyright of Joinery Cad Solutions Ltd and may not be copied in part or whole without written permission.

**REVISIONS :**

- A. 27.03.09  
• FOR APPROVAL

**SPECIFICATIONS :**

- CASEMENTS & DOORS**
- MATERIAL :**
- FRAME JAMBS & HEAD FROM SOFTWOOD
  - FRAME CILL FROM HARDWOOD
  - SASHES / LEAVES FROM SOFTWOOD
  - GLAZING BARS & BEADS FROM SOFTWOOD
- HARDWARE :**
- LOCKS TBC
  - HANDLES TBC
  - HINGES TBC
  - AQUAMAC 21 WEATHERSEAL IN BLACK
- GLAZING :**
- 4, 12, 4K GAS FILLED CLEAR DOUBLE GLAZING UNITS
  - BLACK SPACER
  - BLACK DUMMY BARS BETWEEN PANES
  - STICK ON GLAZING BARS
  - TOUGHENED WHERE APPLICABLE
- FINISH :**
- PAINTED BLACK THROUGHOUT
  - HARDWARE COLOUR TBC
- NOTES :**
- 
- SLIDING SASH WINDOW**
- MATERIAL :**
- FRAME JAMBS & HEAD FROM SOFTWOOD
  - ALL LININGS FROM SOFTWOOD
  - FRAME CILL FROM HARDWOOD
  - SASHES FROM SOFTWOOD
  - GLAZING BARS & BEADS FROM SOFTWOOD
- HARDWARE :**
- LOCK TBC
  - SASH LIFTS - COLOUR TBC
  - PULLEYS - COLOUR TBC
  - AQUAMAC 21 IN WHITE
  - SLIDEX IN WHITE
  - EXITEX PARTING BEAD IN WHITE
  - EXITEX BRUSH SEALS IN WHITE
- GLAZING :**
- 4 mm CLEAR GLAZING
  - TOUGHENED WHERE APPLICABLE
- FINISH :**
- WINDOW TO BE PAINTED WHITE
- NOTES :**
- EXTERNAL HEAD LINING AND EXTERNAL JAMB LININGS TO SUIT BRICK VOUSSIER

CLIENT

PROJECT

TITLE

FRENCH DOOR DETAIL

ISSUE

CLIENT APPROVAL

JOB No

DRAWING No

CUT LIST No

SCALE

DRAWN BY

CHECKED BY

JCS1450L2

1:1, 1:10 @ A1

JCS REV A