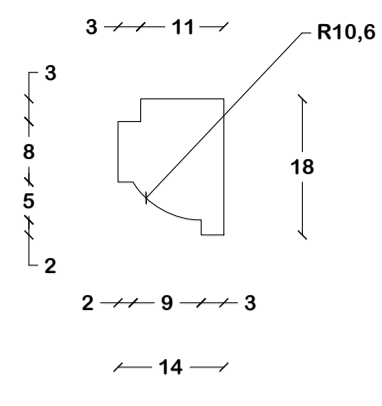
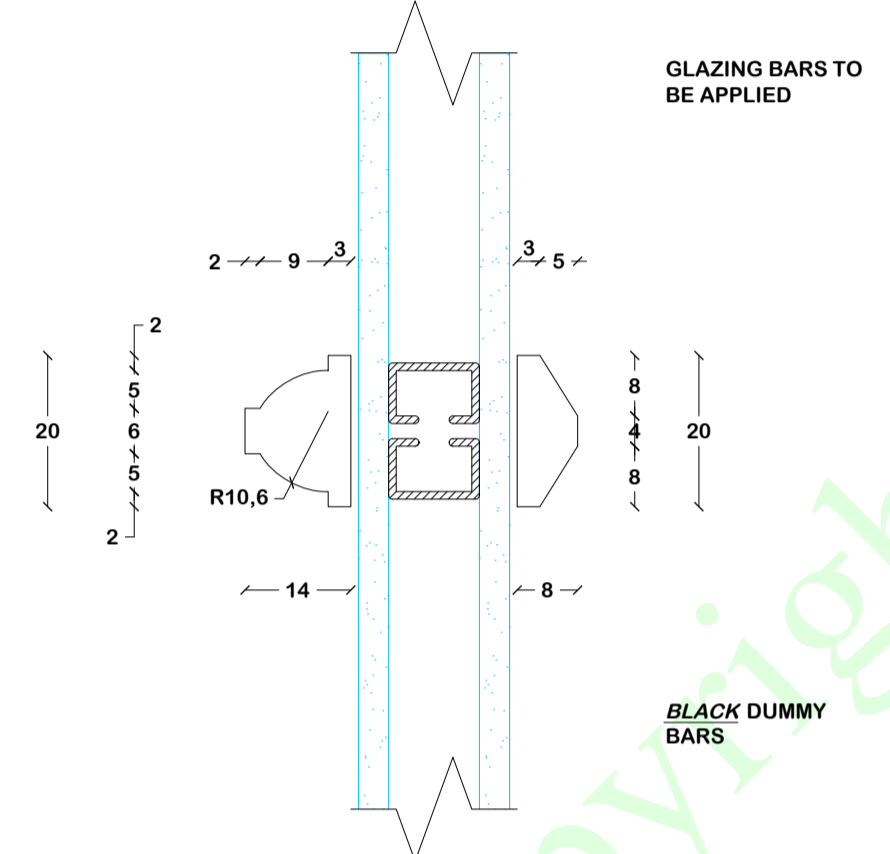


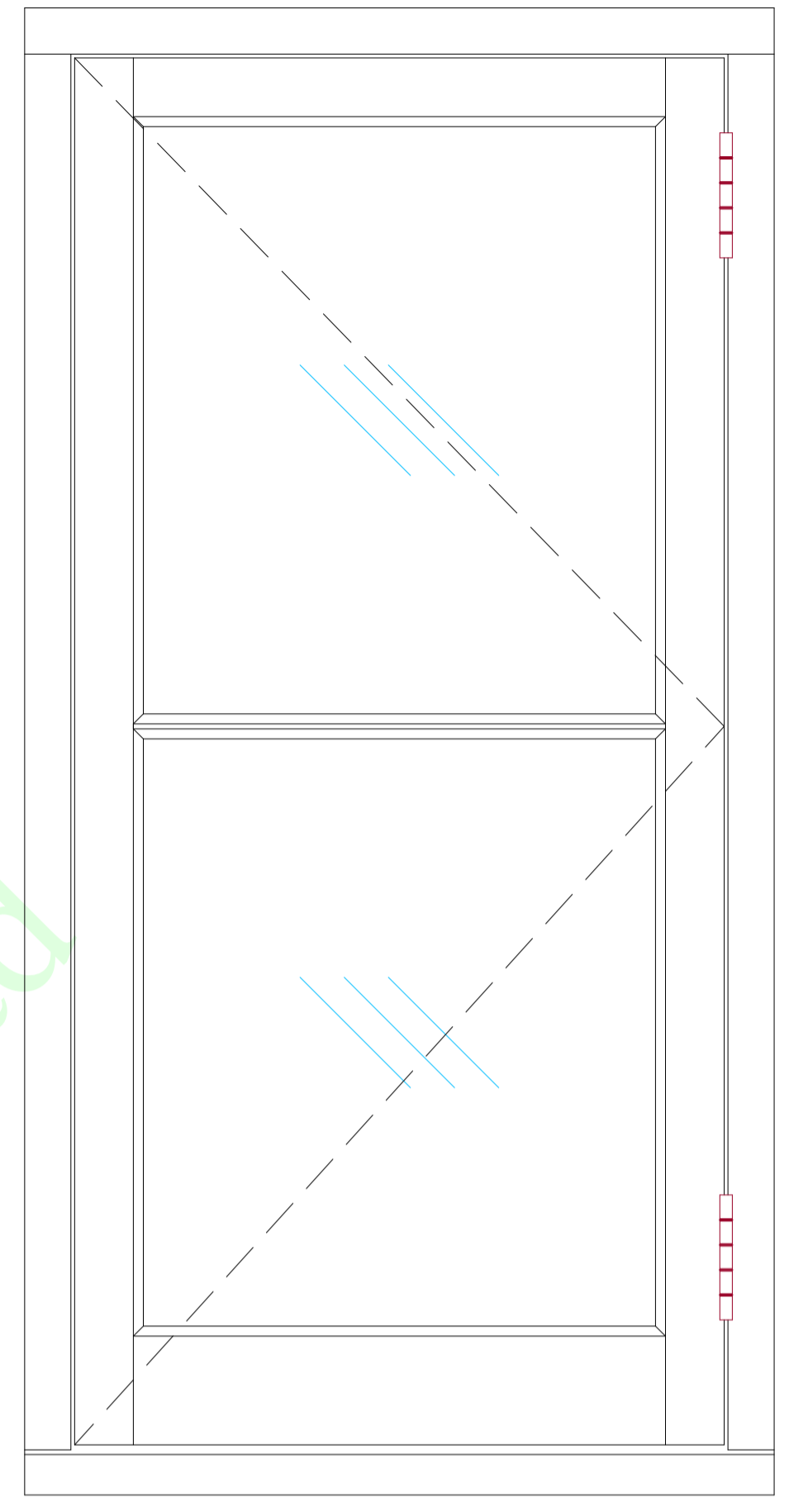
CASEMENT HEAD DETAIL 1:1



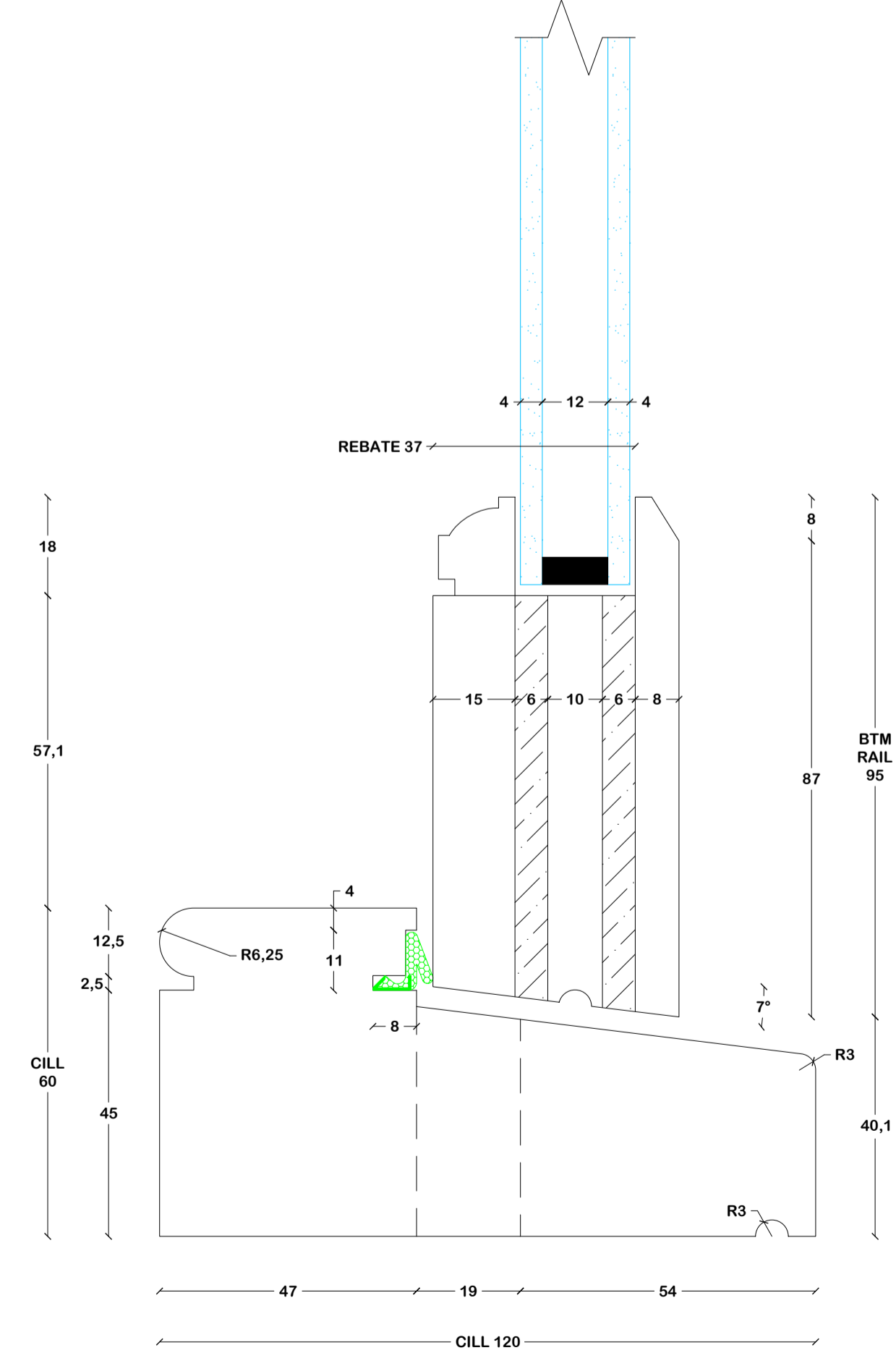
GLAZING BEAD DETAIL 1:1



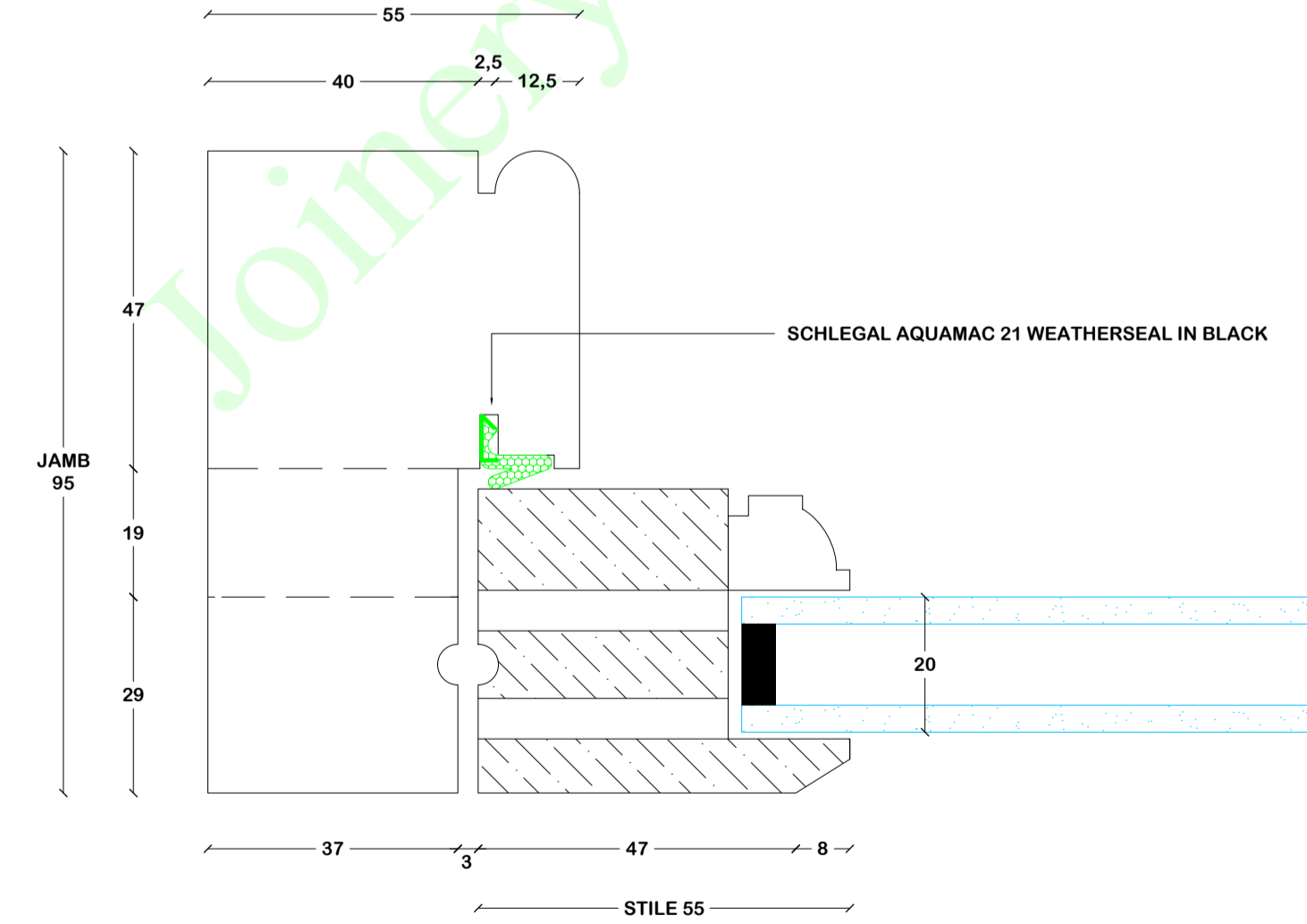
GLAZING BAR DETAIL 1:1



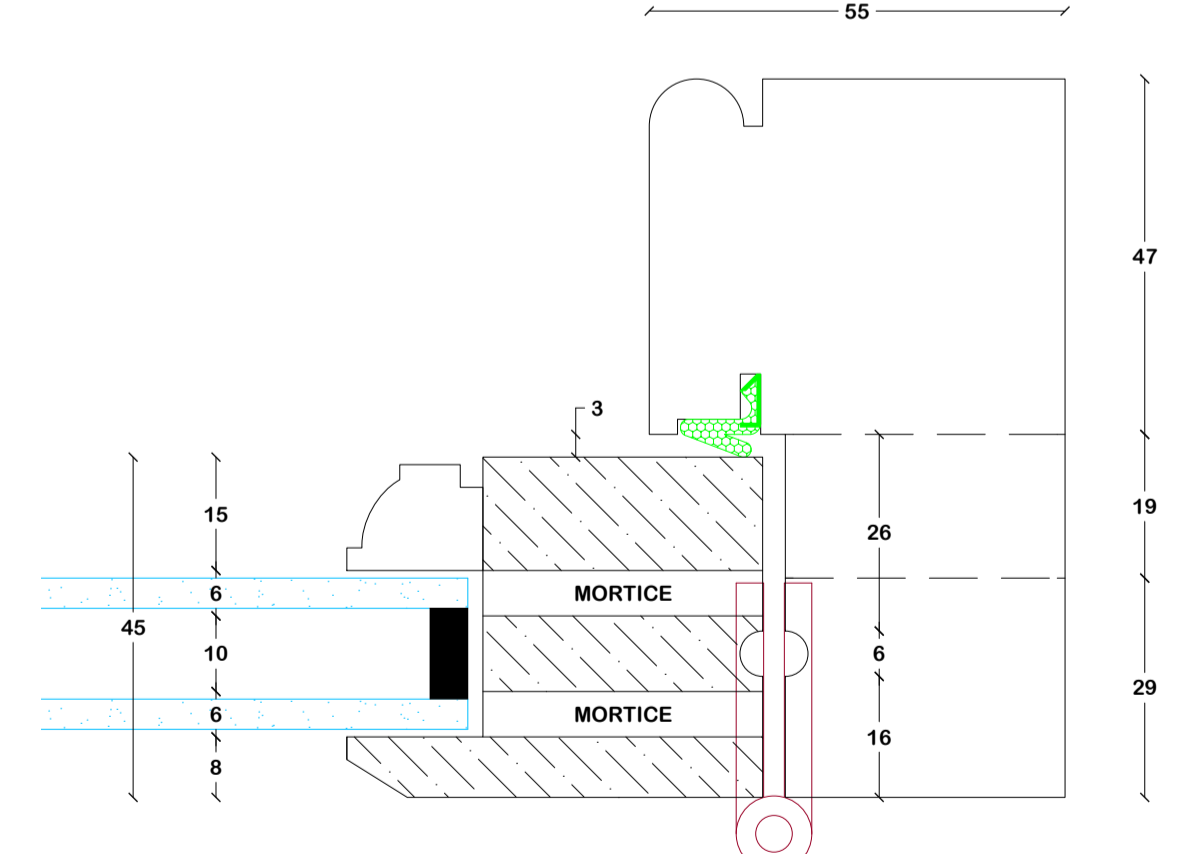
TYPICAL ELEVATION 1:5



CASEMENT CILL DETAIL 1:1



CASEMENT JAMB DETAIL 1:1



NOTES :
 1. This drawing has been prepared to cover matters which are the requirements of the Company listed below and do not constitute a full specification of the work.
 2. All dimensions, details, components, and assemblies are to be verified by the Contractor PRIOR to construction, manufacture or supply.
 3. Any conflicting information, errors or omissions shown or implied on this drawing shall be referred to the Contractor PRIOR to construction or ordering of materials.
 4. Do not scale this drawing.
 5. This drawing is the Copyright of Joinery Cad Solutions Ltd and may not be copied in part or whole without written permission.

REVISIONS :
 A. 27.03.09
 • FOR APPROVAL

SPECIFICATIONS :
CASEMENTS & DOORS
MATERIAL :
 • FRAME JAMBS & HEAD FROM SOFTWOOD
 • FRAME CILL FROM HARDWOOD
 • SASHES / LEAVES FROM SOFTWOOD
 • GLAZING BARS & BEADS FROM SOFTWOOD
HARDWARE :
 • LOCKS TBC
 • HANDLES TBC
 • HINGES TBC
 • AQUAMAC 21 WEATHERSEAL IN BLACK
GLAZING :
 • 4, 12, 4K GAS FILLED CLEAR DOUBLE GLAZING UNITS
 • BLACK SPACER
 • BLACK DUMMY BARS BETWEEN PANES
 • STICK ON GLAZING BARS
 • TOUGHENED WHERE APPLICABLE
FINISH :
 • PAINTED BLACK THROUGHOUT
 • HARDWARE COLOUR TBC

SLIDING SASH WINDOW
MATERIAL :
 • FRAME JAMBS & HEAD FROM SOFTWOOD
 • ALL LININGS FROM SOFTWOOD
 • FRAME CILL FROM HARDWOOD
 • SASHES FROM SOFTWOOD
 • GLAZING BARS & BEADS FROM SOFTWOOD
HARDWARE :
 • LOCK TBC
 • SASH LIFTS - COLOUR TBC
 • PULLEYS - COLOUR TBC
 • AQUAMAC 21 IN WHITE
 • SLIDEX IN WHITE
 • EXITEX PARTING BEAD IN WHITE
 • EXITEX BRUSH SEALS IN WHITE
GLAZING :
 • 4 mm CLEAR GLAZING
 • TOUGHENED WHERE APPLICABLE
FINISH :
 • WINDOW TO BE PAINTED WHITE

NOTES :
 • EXTERNAL HEAD LINING AND EXTERNAL JAMB LININGS TO SUIT BRICK VOUSSIOR

WWW.JOINERYCADSOLUTIONS.COM
 Tel/Fax : 01603 613693 Mob : 0794 2146564
 CAD drawings for your timber projects
 We draw it, you make it
 Doors Windows Stairs Balustrades
 Joists Kitchens Decking Tannery Architectural

CLIENT	
PROJECT	
TITLE	CASEMENT DETAIL
ISSUE	CLIENT APPROVAL
JOB No	
DRAWING No	JCS1450L1
CUT LIST No	
SCALE	1:1, 1:5 @ A1
DRAWN BY	JCS REV A
CHECKED BY	