

IMAGE (CLOSED)
Scale: NTS

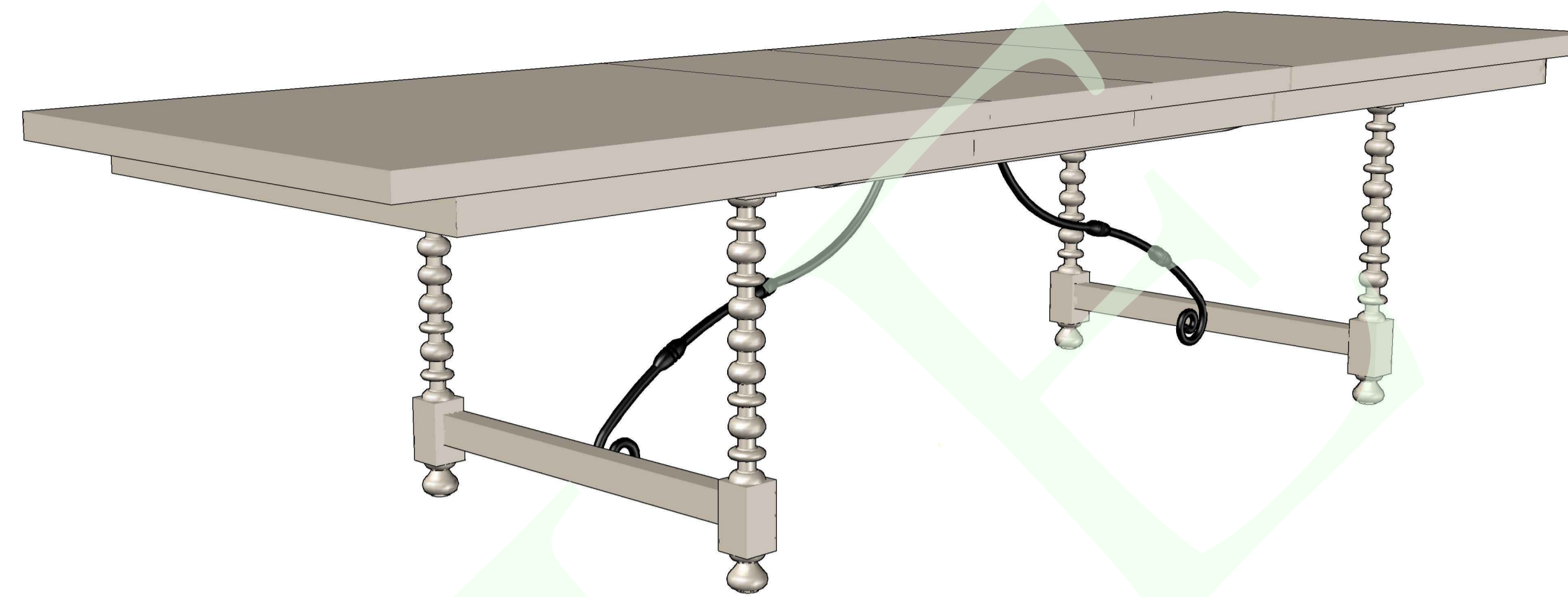
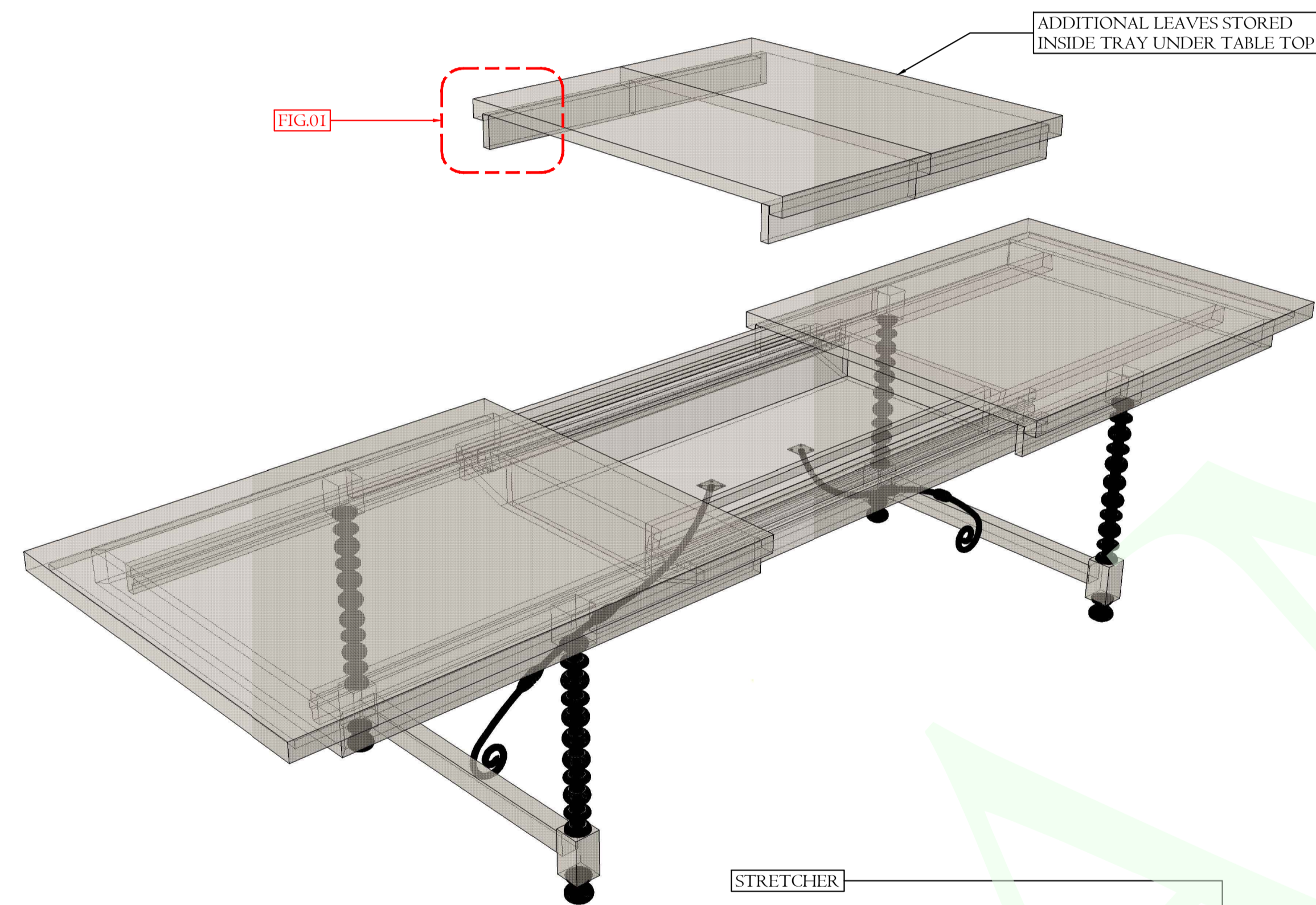


IMAGE (EXTENDED)
Scale: NTS



UNDERSIDE IMAGE
Scale: NTS

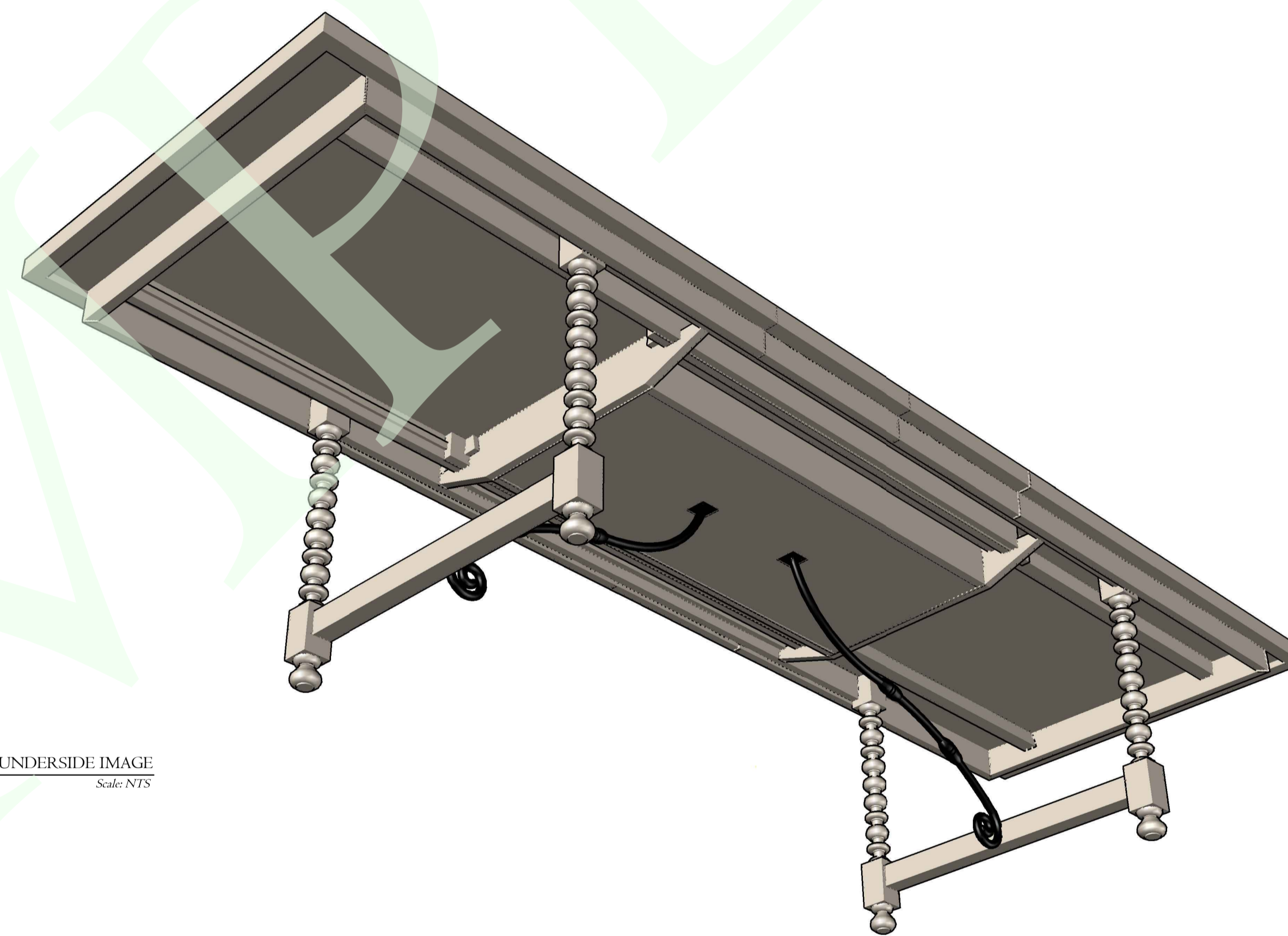


IMAGE (EXTENDED)
Scale: NTS

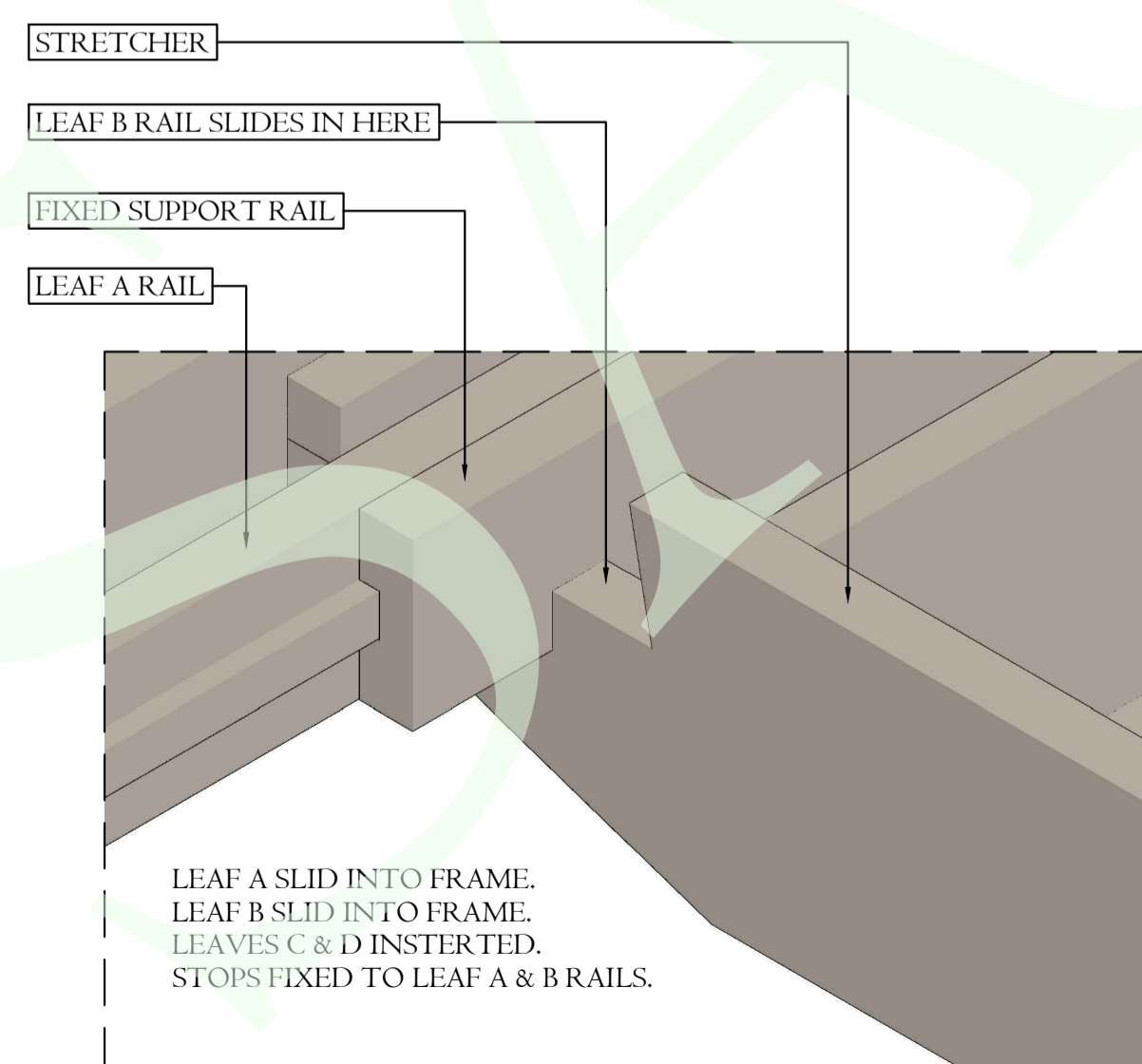


FIG.02
Scale: NTS

APRON FOLDED DOWN AND HELD IN PLACE BY THE RAILS SUPPORTING THE LEGS

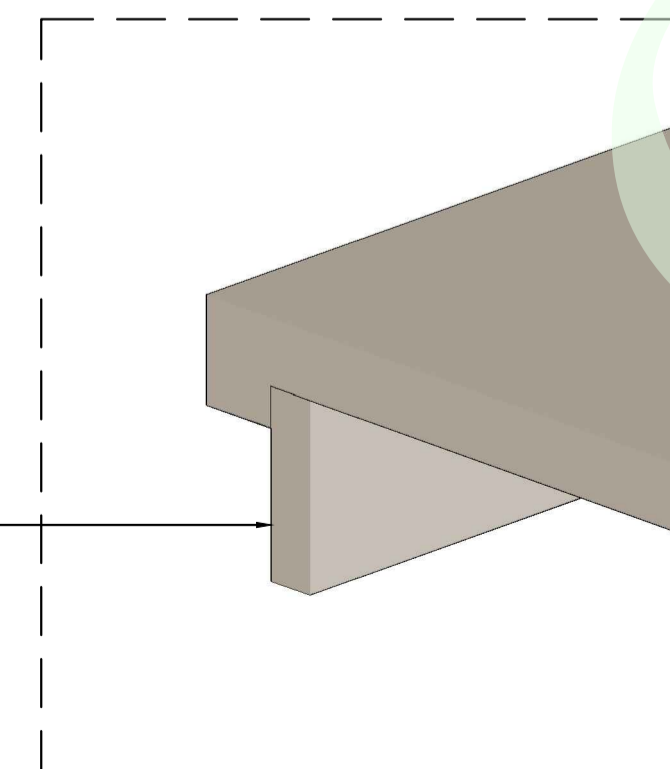
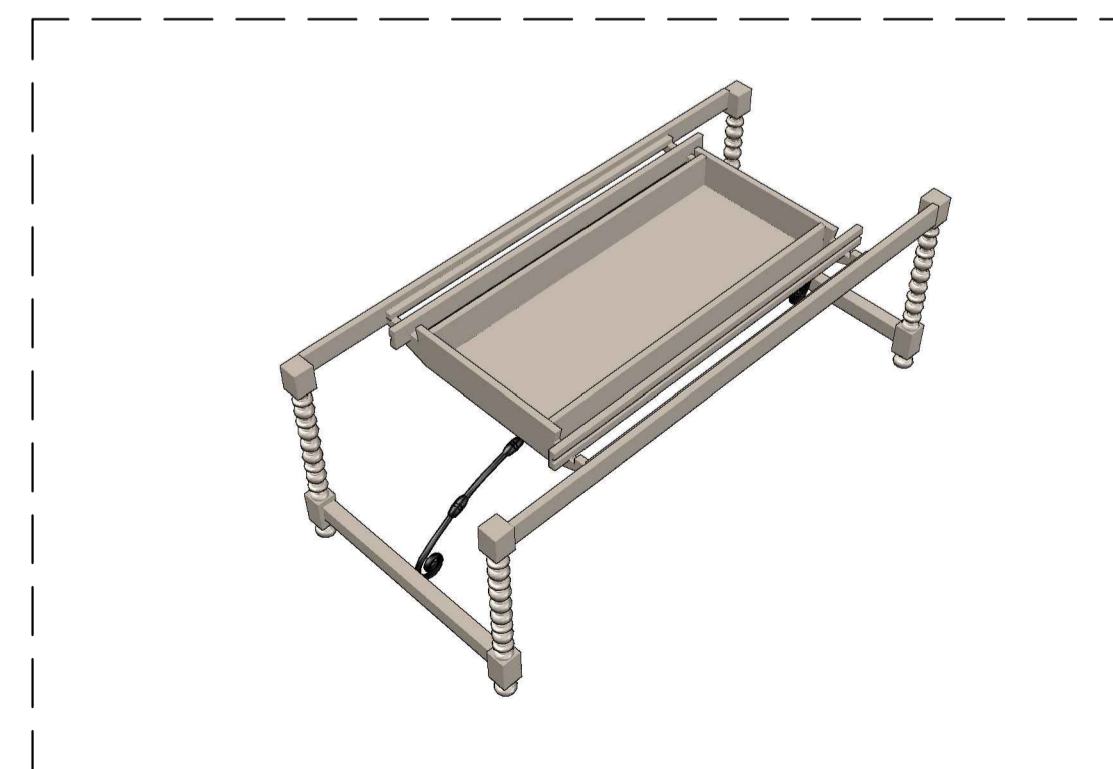


FIG.01
Scale: NTS



FRAME IMAGE
Scale: NTS

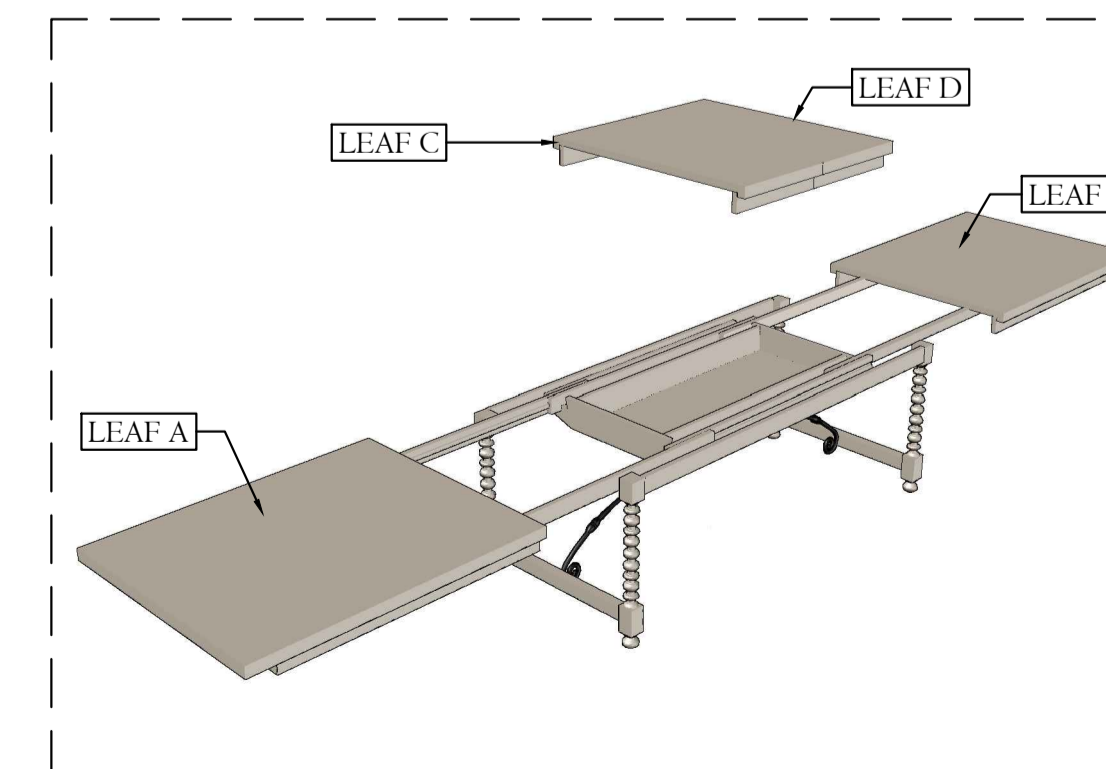


FIG.03
Scale: NTS

NOTES

- This drawing has been prepared to cover matters which are the requirements of the Company listed below and do not constitute a full specification of the work.
- All dimensions, details, components, and assemblies are to be verified by the Contractor PRIOR to construction, manufacture or supply.
- Any conflicting information, errors or omissions shown or implied on this drawing shall be referred to the Contractor PRIOR to construction or ordering of materials.
- Do not scale this drawing.
- This drawing is the Copyright of Joinery Cad Solutions Ltd and may not be copied in part or whole without written permission.

REVISIONS :

- 19.06.2017
- FIRST ISSUE FOR APPROVAL

A. 13.07.2017

- FRAME AMENDED
- METAL PLATES ADDED
- SEAT LOCATIONS SHOWN
- LEGS MOVED INWARDS
- TABLETOP AMENDED TO SAVE WEIGHT
- LEAF B RAILS INCREASED IN SIZE

SPECIFICATIONS :

MATERIAL:

- ALL SOLID TIMBER FROM MAPLE
- TURNED MAPLE LEGS

GLASS:

- N/A

HARDWARE:

- BESPOKE METAL BRACING
- SOSS HINGES

FINISH:

- TBC

NOTES:

- CLIENT TO CONFIRM DESIGN PRIOR TO MANUFACTURE

11.5 Hours
To Complete

SAMPLE

CLIENT	----
PROJECT	INCHBROOM HOUSE
TITLE	EXTENDING TABLE IMAGES
ISSUE	CLIENT APPROVAL
JOB No	2166
DRAWING No	2166/004
CUT LIST No	
SCALE	NTS
DRAWN BY	JCS
CHECKED BY	REV A